



SUHNER® SMPX - THE NEW PRECISION CONNECTOR

Standardisation efforts in various industries and the creation of national and international guidelines in the field of telecommunications have increased the global use of unified connector families in the various applications involved. To meet the needs of this standardisation effort, HUBER+SUHNER has developed the new connector series SUHNER Microminiature Precision Connector SMPX.

The SMPX series is 100% compatible with the SMP series and GPO™ and meets the specifications according to DESC 94007 and 94008.

The series includes connectors for mounting on both cables and PCB's as well as on the required test adaptors. The available connectors suit semi-rigid and SUCOFORM hand-formable cables. They are also available fitted onto cable as custom assemblies, including SUCOFLEX flexible microwave types.

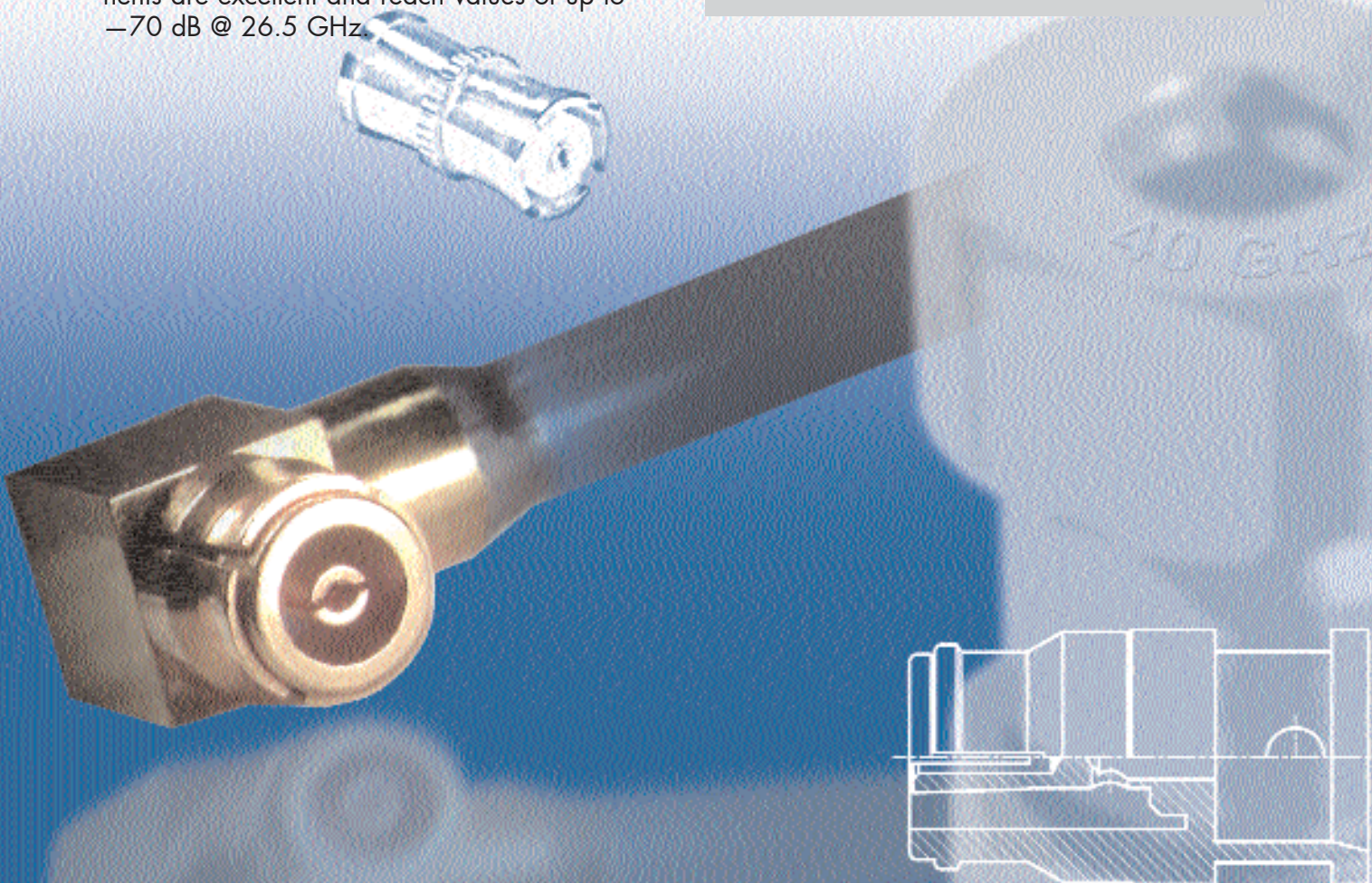
The SMPX microminiature connector series is applied in the Defence, Space, Aviation, Industrial and other markets as well as in mobile communications (Fixed Wireless Access) for radio transmission applications up to 40 GHz. The RF leakage characteristics of these components are excellent and reach values of up to -70 dB @ 26.5 GHz.

This unique feature is complemented by other major characteristics, including the frequency range up to 40 GHz, the interface according to MIL-STD-348A, and minimised dimensions with excellent RF performance. The interface is based on the SMP and GPO dimensions, and the connectors are therefore fully intermateable.

(GPO is a trademark of Gilbert Engineering)

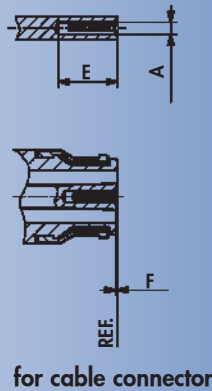
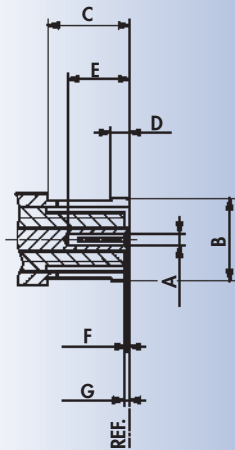
SUHNER® SMPX FOR

- FIXED WIRELESS ACCESS
- AVIATION
- SPACE
-

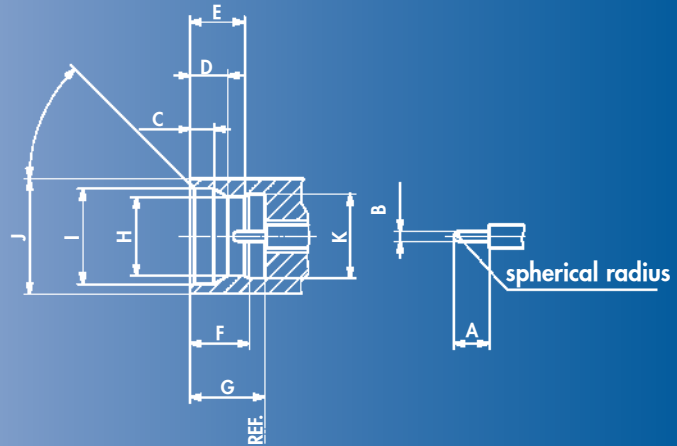


Interface Dimensions (mm / in.)

Plug (male)



Jack (female)



	Plug		Jack	
	min.	max.	min.	max.
A	0.31 / .012	0.35 / .014	1.14 / .045	1.40 / .055
B	3.25 / .128	3.35 / .132	0.36 / .014	0.40 / .016
C	3.35 / .132	—	0.84 / .033	0.94 / .037
D*	0.50 / .020	0.60 / .024	1.40 / .055	1.44 / .057
E*	2.20 / .087	—	2.00 / .079	2.08 / .082
F	0.00 / .000	0.12 / .005	2.20 / .087	2.28 / .090
G	0.00 / .000	0.12 / .005	2.75 / .108	2.84 / .112
H (full)	—	—	2.90 / .114	2.99 / .118
H (limited)	—	—	3.00 / .118	3.09 / .122
H (smooth)	—	—	3.14 / .124	3.22 / .127
I	—	—	3.54 / .139	3.60 / .142
J	—	—	4.15 / .163	—
K	—	—	3.13 / .123	3.22 / .127
	Cable connector, plug			
*	min.	max.	min.	max.
D	0.27 / .011	0.33 / .013	—	—
E	1.80 / .071	—	—	—

The HUBER+SUHNER is certified according to ISO 9001 and ISO 14001.

WAIVER

While the information contained in this folder has been carefully compiled to the best of our present knowledge, it is not intended as representation or warranty of any kind on our part regarding the suitability of the products concerned for any particular use or purpose and neither shall any statement contained herein be construed as a recommendation to infringe any industrial property rights or as a license to use any such rights. The suitability of each product for any particular purpose must be checked beforehand with our specialists.



HUBER+SUHNER AG
 Interconnect Division
 9100 Herisau, Switzerland
 Tel. +41 (71) 353 41 11
 Fax +41 (71) 353 45 90
 www.hubersuhner.com