



SERIES SMB SUBMINIATURE CONNECTORS

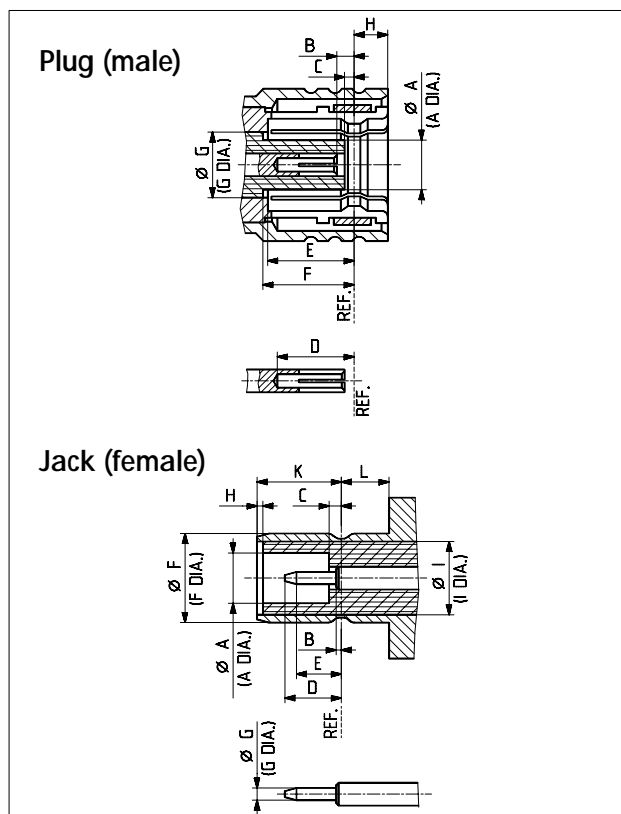
Description

The SUHNER subminiature connectors Series SMB, SMC, SMS have the same basic design. They only differ with regard to their coupling mechanism. SUHNER SMB subminiature connectors are suitable for applications from DC up to 4 GHz.

Coupling mechanism:

The SMB snap-on mechanism provides a fast and reliable connection for applications with high packing density.

Interface Dimensions



Interface Dimensions in mm / inches

	Plug		Jack	
	min.	max.	min.	max.
A	---	2.06/.081	2.08/.082	---
B	0.18/.007	0.94/.037	---	0.18/.007
C	0.18/.007	---	---	0.18/.007
D	2.97/.117	---	---	2.97/.117
E	3.58/.141	---	1.32/.052	---
F	3.58/.141	---	3.66/.144	3.71/.146
G	3.05/.120 nom.		0.48/.019	0.53/.021
H	---	1.63/.064	0.00/.000	---
I	---	---	3.05/.120 nom.	
K	---	---	3.33/.131	3.58/.141
L	---	---	1.65/.065	---

Note: SUHNER SMB jacks are intermateable with SUHNER SMS plugs.

Interface dimensions conformable to the Standards:

International: IEC 169-10
 Europe: CECC 22130
 USA: MIL-C-39012 SMB
 Interface MIL-STD-348A/311
 Great Britain: BS 9210 N 0007 SMB
 France: NFC 93562 series KMC

Technical Data

ELECTRICAL DATA	REQUIREMENTS
Impedance	50 Ω
Frequency range	DC ... 4 GHz
RF-leakage (measured at 1 GHz)	≥ 55 dB
Dielectric withstanding voltage (at sea level)	750 V rms, 50 Hz (depending on cable)
Working voltage (at sea level) - unmated	≤ 250 V rms, 50 Hz (depending on cable)
Working voltage (at sea level) - unmated	≤ 350 V DC (depending on cable)
Insulation resistance	$\geq 10^4$ M Ω
Contact resistance - centre contact - outer contact	≤ 5 m Ω ≤ 2.5 m Ω

MECHANICAL DATA	REQUIREMENTS
Engagement force	8 N ... 63 N / 1.8 lbs ... 14.2 lbs
Disengagement force	8 N ... 63 N / 1.8 lbs ... 14.2 lbs
Contact captivation	≥ 18 N / 4.0 lbs
Durability (matings)	≥ 500

ENVIRONMENTAL DATA	TEST CONDITIONS
Temperature range	- 65° C ... + 165° C / - 85° F ... + 329° F
Climatic category	IEC → 55 / 155 / 21
Thermal shock	MIL-STD-202, Method 107, Condition B
Moisture resistance	MIL-STD-202, Method 106
Corrosion	Saltspray test acc. to MIL-STD-202, Method 101, Condition B
Vibration	MIL-STD-202, Method 204, Condition D

MATERIAL DATA			
CONNECTOR PART	STANDARDS	MATERIAL	PLATING
Bodies Pin and outer contact	QQ-B-626	brass	gold or SUCOPLATE®
Socket contact	QQ-C-530	beryllium-copper, hardened	gold
Crimp ferrule	SUHNER® specification QQ-B-626	copper brass	gold or SUCOPLATE®
Springs and washers	QQ-C-530	beryllium-copper, hardened	gold or SUCOPLATE®
Insulators		PTFE or PFA	

Some connectors may have a specification that differs from the above mentioned data.