



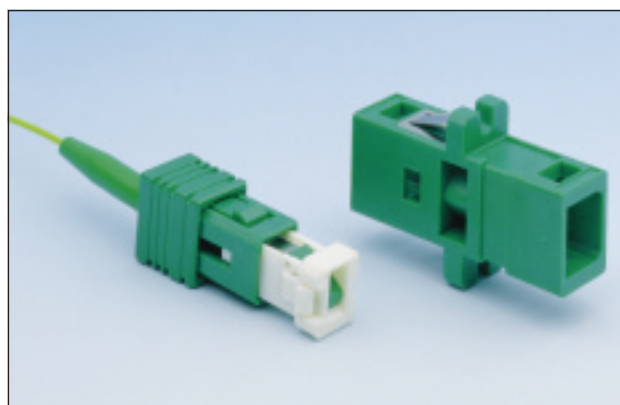
# SUHNER FIBEROPTIC OPTOCLIP II CONNECTOR

## Features

- simple fiber distribution
- adapter with integrated alignment element
- easy field assembly in less than 2½ minutes
- drastically reduced installation costs

## Applications

- Telecommunication
- LAN
- Measurement techniques

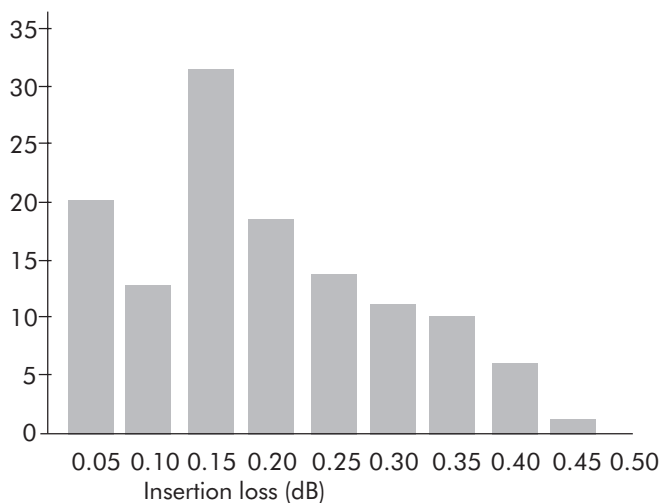


## Specifications

Insertion loss singlemode (E9/125)	50% <0.15 dB; 98% <0.4 dB
Return loss HRL connector singlemode	min. 60 dB
Insertion loss multimode (G50, G62.5/125)	50% <0.2 dB; 98% <0.5 dB
Operating temperature	–40° bis +85°C (conditioned by type of cable)
Durability	1000 cycles without cleaning
Strain relief	100N
Standards	IEC(86B)CFO 10
Installation measurements	analogue NTT SC

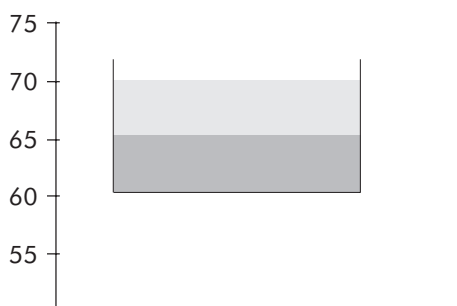
## Insertion loss

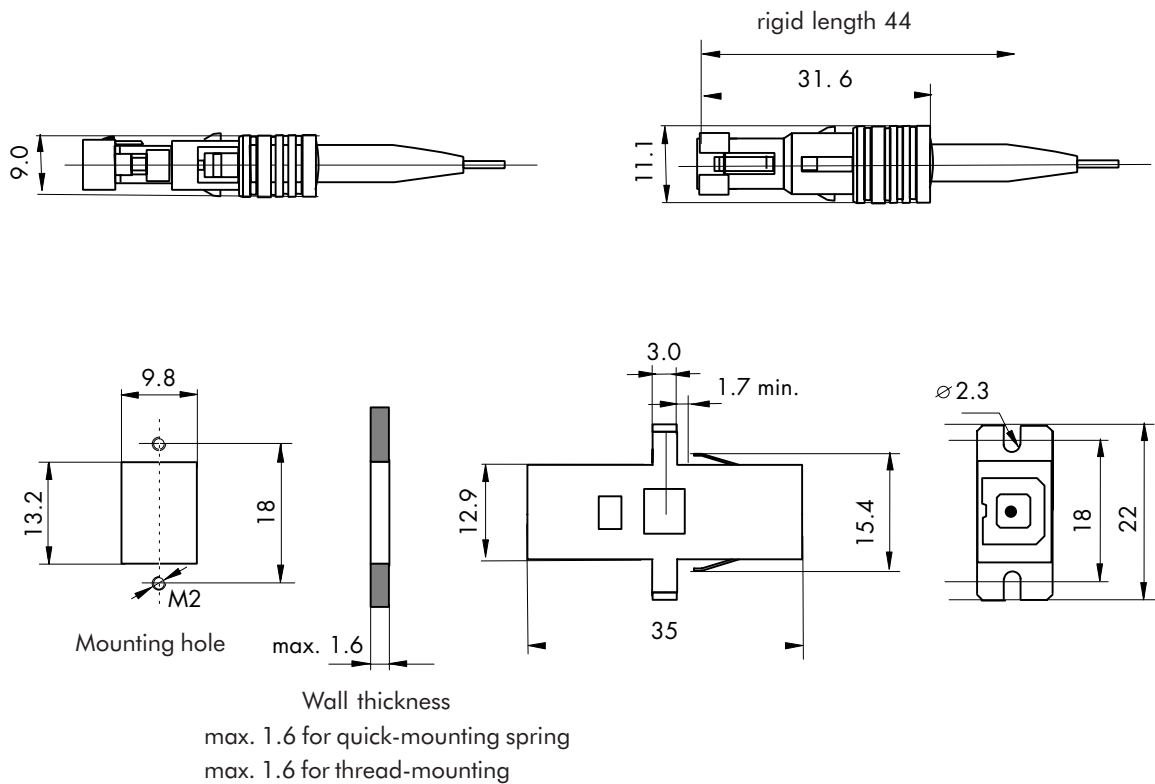
Number of measurements



## Return loss

Return loss [dB] when connected





## Ordering table

<b>Connector</b>	
FOC2-STD-B600	OPTOCLIP II connector multimode, beige
FOC2-STD-A600	OPTOCLIP II connector HRL, green
<b>Adapter</b>	
FOC2-FOC2-DOO2	MM adapter with 2 hole flange
FOC2-FOC2-DOO1	HRL adapter with 2 hole flange
9801.93.B	Buffer tube $\varnothing$ 0.9 mm/length 15m additionally required for 250 $\mu$ m fiber
<b>Crimpsset black</b>	
included	for cable $\varnothing$ < 1.0 mm
024-BK-E001	for cable $\varnothing$ 2.0 – 2.4 mm
028-BK-E001	for cable $\varnothing$ 2.5 – 2.8 mm
035-BK-E001	for cable $\varnothing$ 2.9 – 3.5 mm

### Waiver

While the information contained has been carefully compiled to the best of our present knowledge, it is not intended as representation or warranty of any kind on our part regarding the fitness of the products concerned for any particular use or purpose and neither shall any statement contained herein be construed as a recommendation to infringe any industrial property rights or as a license to use any such rights. The fitness of each product for any particular purpose must be checked beforehand with our specialists.



HUBER+SUHNER AG  
 Fiberoptic Division  
 9100 Herisau, Switzerland  
 Phone +41 (0)71 353 41 11  
 Fax +41 (0)71 353 46 47  
 www.hubersuhner.com