



SUHNER FIBEROPTIC FST-LEAN CONNECTOR

Features

- One-piece design
- Zirconia ceramic ferrule
- Special ferrule preform for short polishing time
- Inexpensive
- Axially suspended
- Plastic bayonet nut



Applications

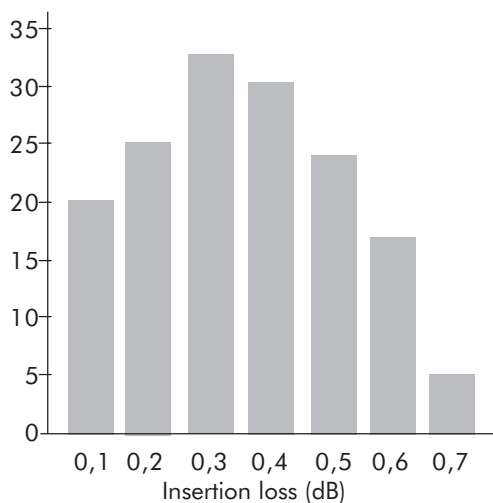
- LAN
- Industrial and computer connections

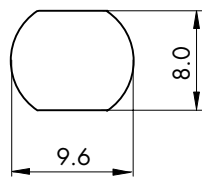
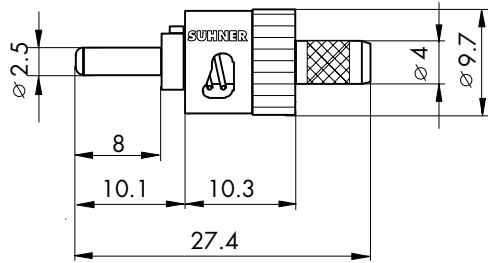
Specifications

Fibre type	G50, 62.5/125 μ m
Insertion loss multimode (G50, 62.5/125)	50% < 0.4dB; 98% < 0.8dB
Strain relief	crimped, 100N (conditioned by type of cable)
Operating temperature	-25° to +70°C (conditioned by type of cable)
Durability	min. 500 cycles
Assembly procedure	glue and polish
Connection	physical contact of ferrules
Lock mechanism	bayonet catch
Standard	according to IEC 874-10

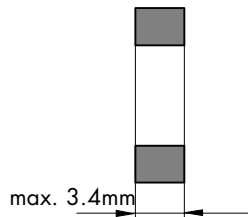
Insertion loss multimode

Number of measurements

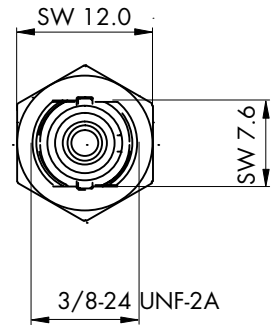
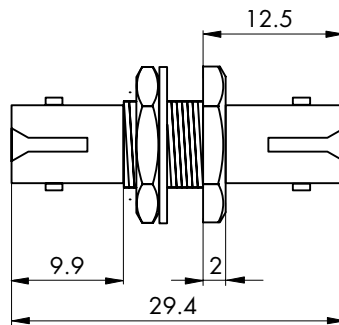




Mounting hole



Wall thickness



Ordering table

Connector

FST-LEAN-B003

FST-LEAN connector, multimode

Adapter

FST-FST-C200

FST-LEAN adapter with 1 loose, 1 fixed nut and 1 washer for D-hole mounting, phosphor-bronze-sleeve

Crimpset black

009-BK-A001

for cable-Ø < 1.0mm

021-BK-A001

for cable-Ø 2.0 - 2.2mm

024-BK-A001

for cable-Ø 2.3 - 2.6mm

028-BK-A001

for cable-Ø 2.7 - 2.9mm

030-BK-A001

for cable-Ø 3.0 - 3.3mm

035-BK-A001

for cable-Ø 3.4 - 3.6mm

Waiver

While the information contained has been carefully compiled to the best of our present knowledge, it is not intended as representation or warranty of any kind on our part regarding the fitness of the products concerned for any particular use or purpose and neither shall any statement contained herein be construed as a recommendation to infringe any industrial property rights or as a license to use any such rights. The fitness of each product for any particular purpose must be checked beforehand with our specialists.



HUBER+SUHNER AG

Fiberoptic Division

9100 Herisau, Switzerland

Phone +41 (0)71 353 41 11

Fax +41 (0)71 353 46 47

www.hubersuhner.com