



SUHNER FIBEROPTIC FST-HQ CONNECTOR

Features

- One-piece design
- Zirconia ceramic ferrule
- Special ferrule preform for short polishing time
- Metal Ferrule for HCS 200/230



Applications

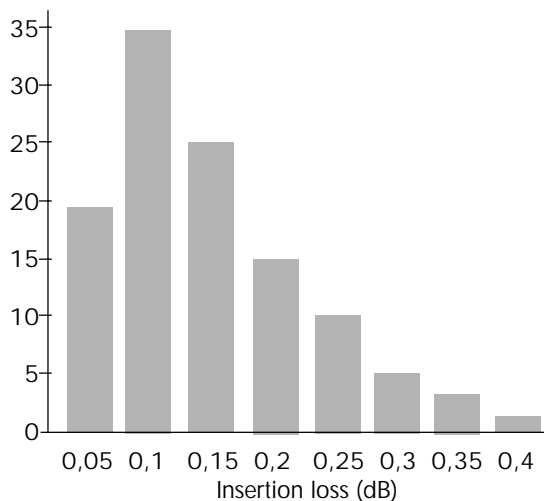
- LAN
- Industrial

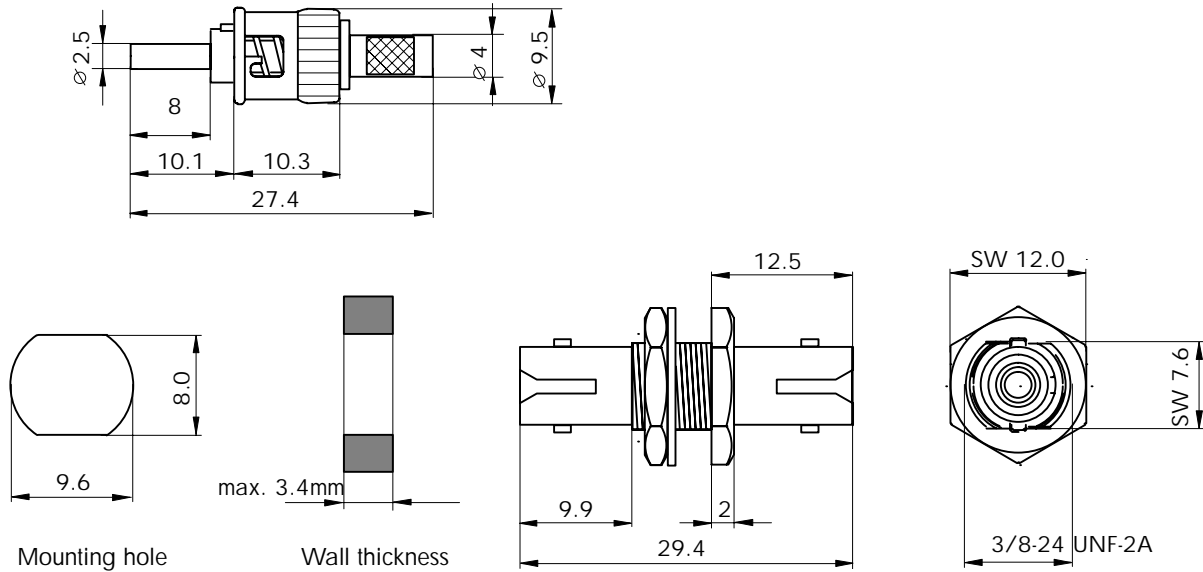
Specifications

Insertion loss singlemode, E9/125, acc. to ECO class	50% < 0.23dB; 98% < 0.5dB
Return loss singlemode	50% > 49dB; 98% > 47dB
Insertion loss multimode, G50, G62.5/125	50% < 0.2dB; 98% < 0.5dB
Insertion loss multimode HCS 200/230	50% < 1.0dB; 98% < 1.5dB
Strain relief	crimped, 100N (dependent upon cable type)
Operating temperature	-20° to +85°C (dependent upon cable type)
Durability	min. 500 cycles
Assembly procedure	glue and polish
Connection	physical contact of ferrules
Lock mechanism	bayonet catch
Standard	according to IEC 874-10

Insertion loss multimode

Number of measurements





Ordering table

Connector	
FST-Z/M-A001	FST-HQ connector, singlemode
FST-Z/M-B001	FST-HQ connector, multimode
Adapter	
FST-FST-C100	FST-HQ adapter with 1 loose, 1 fixed nut and 1 washer for D-hole mounting, zirconia ceramic ferrule
009-BK-A001	for cable-Ø < 1.0mm
021-BK-A001	for cable-Ø 2.0 - 2.2mm
024-BK-A001	for cable-Ø 2.3 - 2.6mm
028-BK-A001	for cable-Ø 2.7 - 2.9mm
030-BK-A001	for cable-Ø 3.0 - 3.3mm
035-BK-A001	for cable-Ø 3.4 - 3.6mm

Waiver

While the information contained has been carefully compiled to the best of our present knowledge, it is not intended as representation or warranty of any kind on our part regarding the fitness of the products concerned for any particular use or purpose and neither shall any statement contained herein be construed as a recommendation to infringe any industrial property rights or as a license to use any such rights. The fitness of each product for any particular purpose must be checked beforehand with our specialists.



HUBER+SUHNER AG
 Fiberoptic Division
 9100 Herisau, Switzerland
 Phone +41 (0)71 353 41 11
 Fax +41 (0)71 353 46 47
 www.hubersuhner.com