

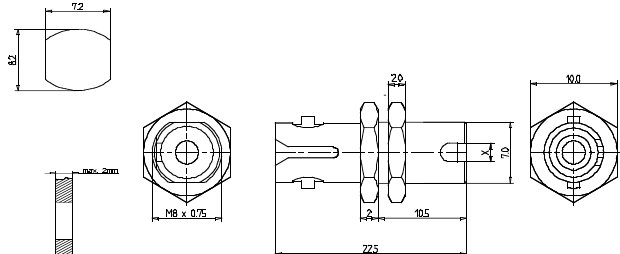


SUHNER FIBEROPTIC HYBRID ADAPTERS OVERVIEW

FST-FCPC

- Slotted zirconia ceramic sleeve
- For SM and MM connector
- Temperature range: -40°C to +85°C
- Service life: min. 1000 cycles
- (x): groove width: standard 2.15mm; upon request 2mm

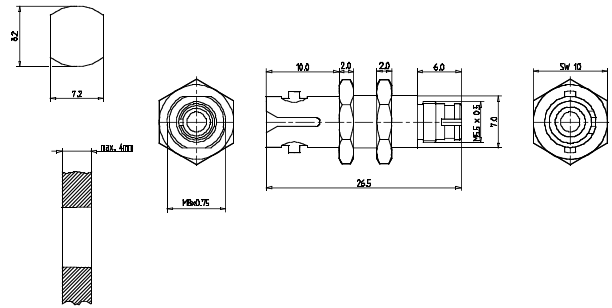
• **Order no.:** **FST-FCPC-B100**



FST-FLSA

- Slotted zirconia ceramic sleeve
- For SM and MM connector
- Temperature range: -40°C bis +85°C
- Service life: min. 1000 cycles

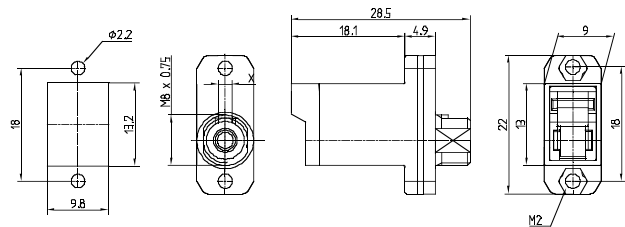
• **Order no.:** **FST-FLSA-C100**



FLSH-FCPC

- Slotted zirconia ceramic sleeve; standard coded
- For SM, MM and HRL connector (APC 8°)
- Temperature range: -25°C bis +70°C
- Service life: min. 500 cycles
- (x): groove width: standard 2.15mm; upon req. 2mm

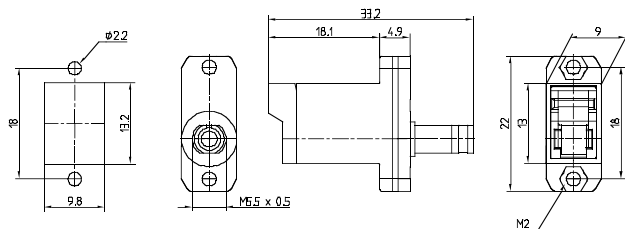
• **FLSH-FCPC-D101 (SM) blue, 2.15mm**
• **FLSH-FCPC-D601 (HRL) green, 2.15mm**
• **FLSH-FCPC-D602 (HRL) green, 2mm**



FLSH-FLSA

- Slotted zirconia ceramic sleeve; standard coded
- For SM, MM and HRL connector (APC 8°)
- Temperature range: -25°C bis +70°C
- Service life: min. 500 cycles

• **Order no.:**
• **FLSH-FLSA-D101 (SM) blue**
• **FLSH-FLSA-D601 (HRL) green**



FLSH-FSC

- Slotted zirconia ceramic sleeve; standard coded
- For SM, MM and HRL connector (APC 8°)
- Temperature range: -25°C bis +70°C
- Service life: min. 500 cycles

• **Order no.:**
• **FLSH-FSC-D101 (SM) blue**
• **FLSH-FSC-D601 (HRL) green**

